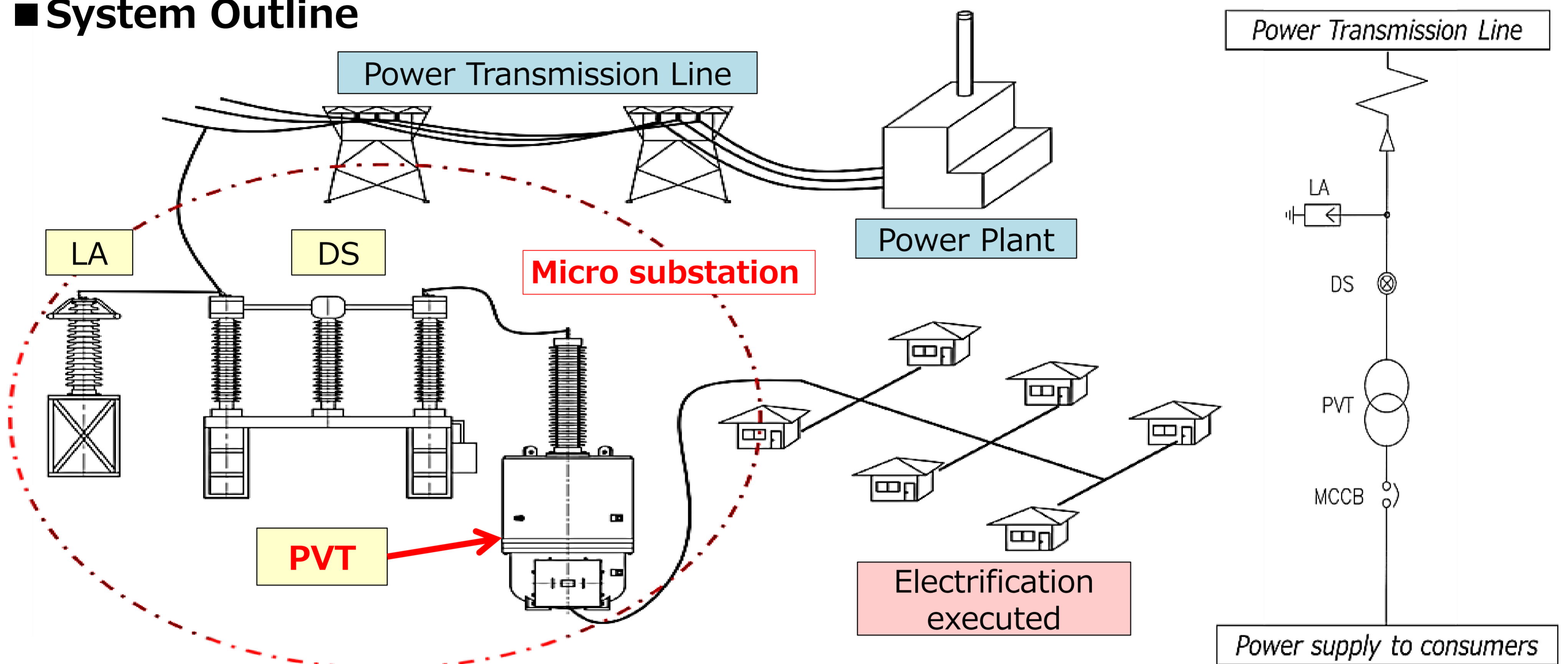


What is "Micro substation with PVT"?

■ Advantages of Micro substation with Power Voltage Transformer (PVT)

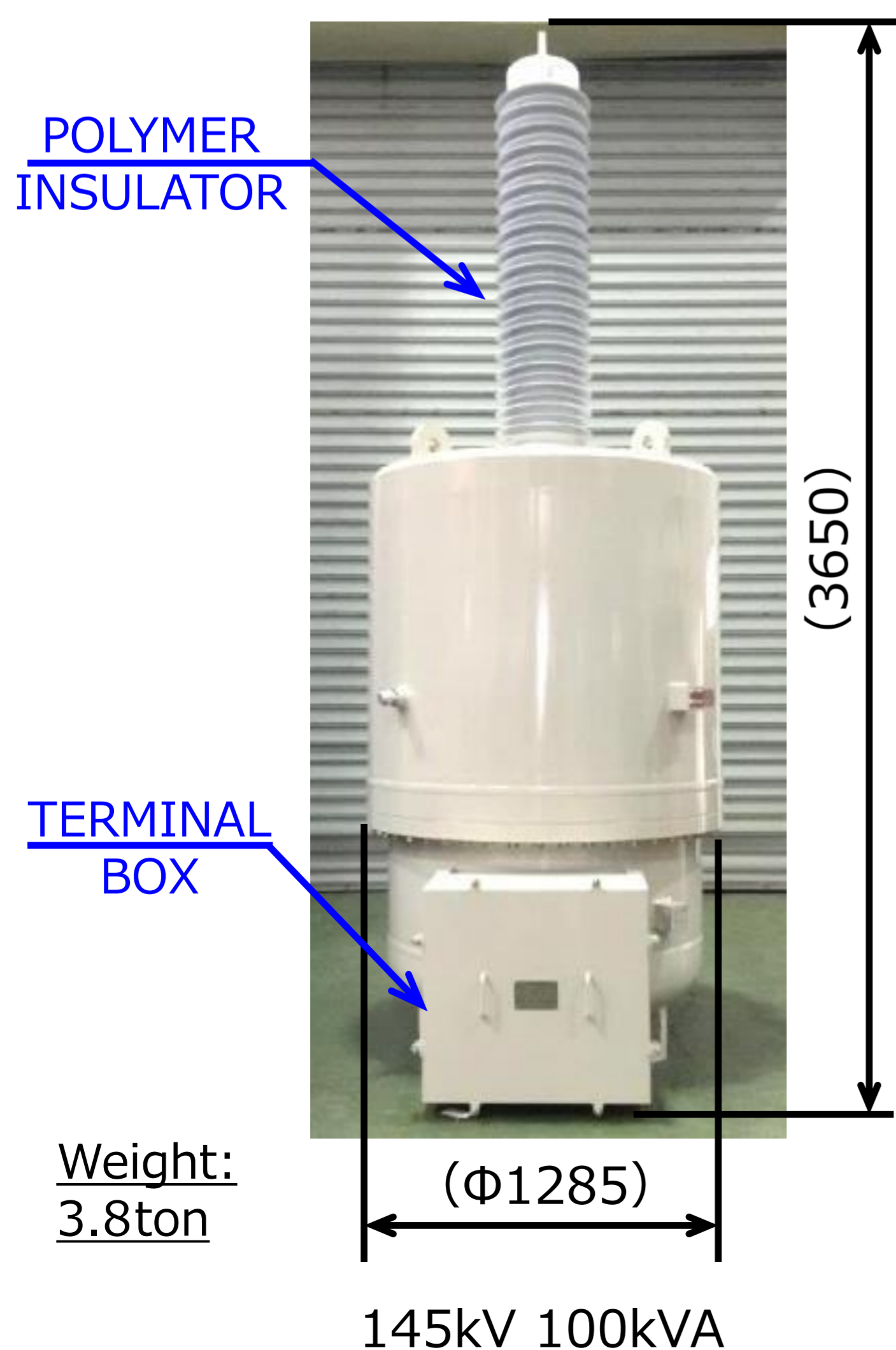
1. Simple and highly reliable system
 - ◆ Direct power supply from transmission line (EHV/HV) to LV with PVT
2. Low Running Cost
 - ◆ Neither refueling nor frequent maintenance are necessary
3. Low environmental burden
 - ◆ This system can reduce CO₂ by 40% more than engine generator

■ System Outline



■ PVT Specification

◆ PVT image



◆ Electrical specification

Voltage class (kV)	72.5	123	145	245
Primary voltage (kV)	66/√3	110/√3	132/√3	220/√3
Rated frequency	140	230	275	460
Withstand voltage (kV)	325	550	650	1050
Rated lightning impulse	120~240			
Withstand voltage (kV)	25~100			
Secondary voltage (V)	50/60			
Output power (kVA)				
Frequency (Hz)				

◆ Ambient environment

Voltage class (kV)	72.5	123	145	245
Ambient temperature	-30 ~ 55°C			
Altitude	<1000m (※)			
IP rating	IP53			

(※) By changing the design, we can also manufacture types with an altitude of 1000m or more.

Nissin is promoting research, commissioned by the New Energy and Industrial Technology Development Organization (NEDO), to use PVT appropriately and safely in India.